

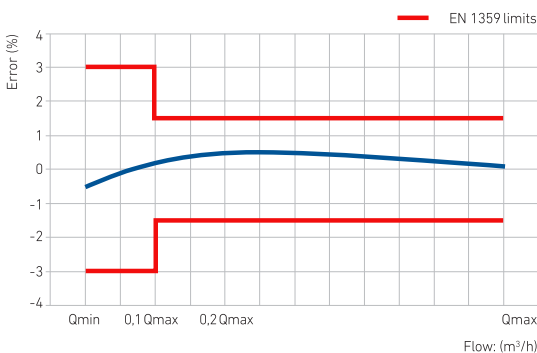
# Residential Diaphragm Gas Meter



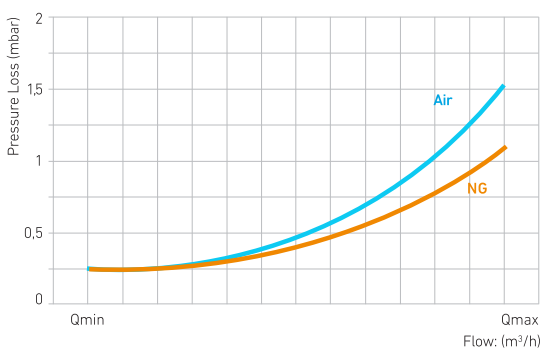
AG2,5 AG4 AG2,5TC AG4TC

Compact domestic gas meter with high measuring accuracy and long term stability

- Physical controlled diaphragm shape
- Reduced magnetic coupling speed
- Simplified index transmission
- Compact outside design
- Max pressure loss 1,5 mbar
- High quality materials
- Optional Mechanical Temperature Compensation

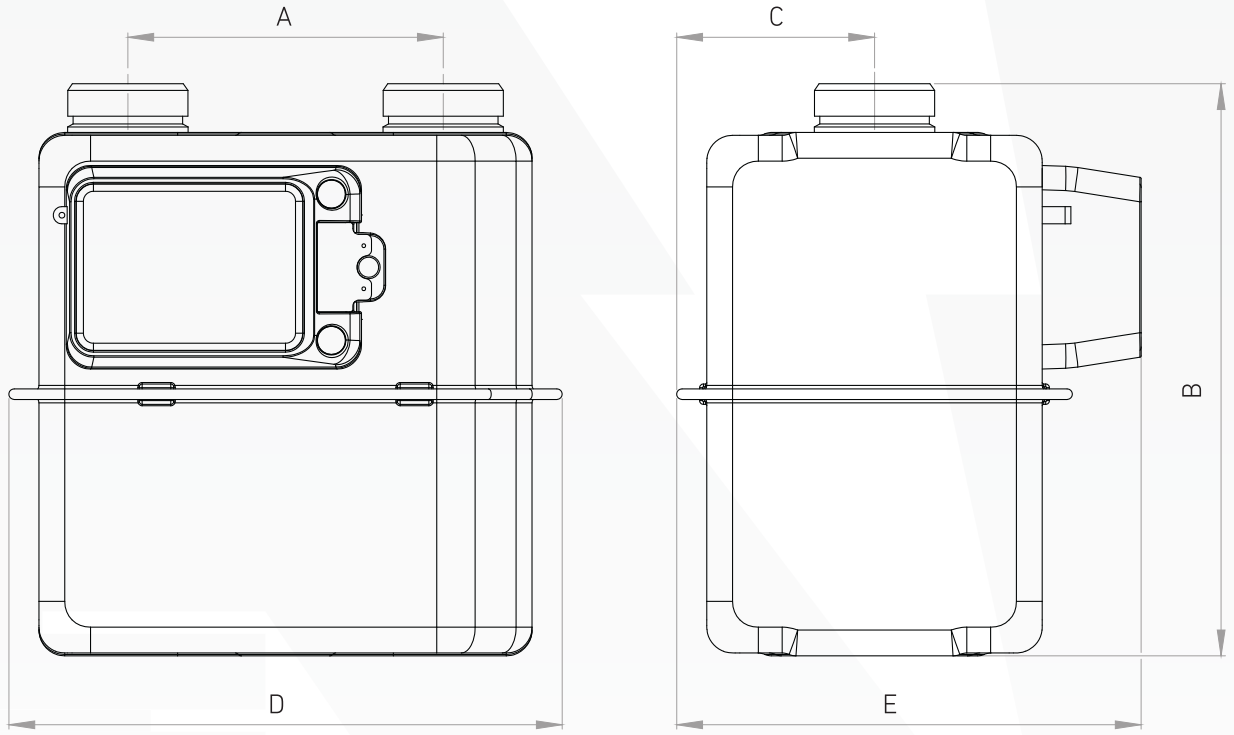


Error Curve (AG2,5 & AG4)



Pressure Loss (AG2,5 & AG4)

- Physical constraining of the diaphragm volume ensures long term measuring stability and high accuracy at extended working temperature range
- 3/20 reduction ratio slows down transmission arm rotation speed and prevents noise, wear and contamination at transmission system
- 3/20 reduction ratio allows less torque and use of only DIN adjustment gears within the index housing
- The design of the meter permits to install a prepayment valve without increasing metal casing outer dimensions
- The meters have high quality engineering plastics, diaphragms and galvanized sheet steel
- The measuring mechanism has a locking device to block reverse flow
- Equipped with pulse magnet, for LF pulse output
- A bimetal element adjusts the cyclic volume for temperature compensation for the TC Models



TYPE	DIMENSION (mm)					THREAD SIZE	CONNECTION (DN)	WEIGHT (KG)
	A	B	C	D	E			
AG2,5 AG4 AG2,5TC AG4TC	110	199,5	69	193	162	3/4"	-	1,7
						7/8"	-	
						1"	25	
						1 1/4"	32	

## Main Features

Reference Directive	2014/32/EU (MID)	Cyclic Volume	1,2 dm <sup>3</sup> /h
MID Number	I-2142-MI002-TG002, I-2142-MI002-TG017	Measuring Accuracy Class	Class 1,5
Harmonised Standard	EN1359:1998/A1:2006, EN1359:2017	Maximum Working Pressure	0,5 bar
Meter Type	Residential Diaphragm Gas Meter	Working Temperature Range	-25°C ... +55°C
Meter Models	AG2,5 - AG4 - AG2,5TC - AG4TC	Pulse Generator	0,01 m <sup>3</sup> /pulse (LF)
Measuring Range: AG2,5 & AG2,5TC	Qmax: 4 m <sup>3</sup> /h Qmin: 0,025 m <sup>3</sup> /h	Gases to Measure	Natural Gas, LPG
Measuring Range: AG4 & AG4TC	Qmax: 6 m <sup>3</sup> /h Qmin: 0,040 m <sup>3</sup> /h	Color	Powder coated, White, Gray